



**DAWSON**  
CONSTRUCTION PLANT LTD

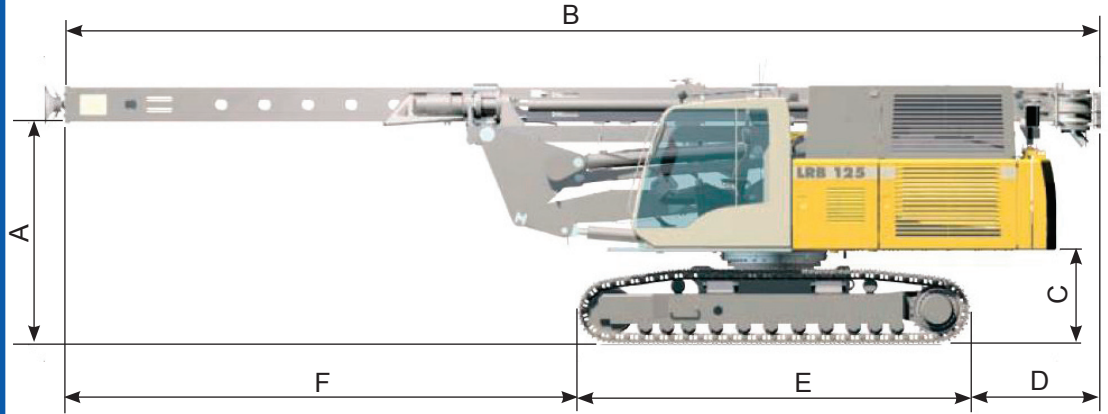
# LRB 125 PILING AND DRILLING RIG

**INNOVATIVE  
PILING  
EQUIPMENT**

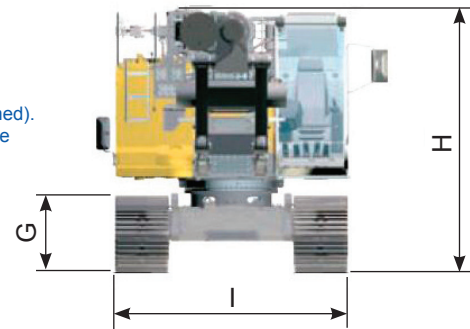
DAWSON CONSTRUCTION PLANT  
CHESNEY WOLD,  
BLEAK HALL,  
MILTON KEYNES,  
MK6 1NE  
ENGLAND

TEL. +44 1908 240300  
FAX. +44 1908 240222  
EMAIL. DAWSON@DCPUK.COM

www.dcpuk.com



- High engine output with automatic engine speed control.
- Controlled entirely from cab.
- High push and pull forces.
- High Torque Completely self-rigging (no auxiliary machines required).
- Large range of working tools (all piling and drilling works can be performed).
- Stepless leader inclination 1:6 forward - 1.3 backward depending on type of equipment.
- Leader swing range +/- 90°.
- Increase of effective leader length (5m) via vertical travel device.
- High alignment forces.
- Simultaneous control of several movements via Load-sensing multi-circuit hydraulics.
- Quick change of equipment possible through quick connection.
- High manufacturing quality through quality control by PDE-system.



No.	DESCRIPTION	DISTANCE (mm)	DISTANCE (ft, in)
A	HEIGHT TO UNDERSIDE OF LEAD	2850mm	9ft 4.2 in
B	OVERALL LENGTH WITH AUXILIARY WINCH	13300mm	43ft 7.5in
C	HEIGHT TO UNDERSIDE OF SUPERSTRUCTURE	1180mm	3ft 10.7in
D	OVERHANG BEHIND THE TRAVEL GEAR	1650mm	5ft 4.9in
E	LENGTH OF TRAVEL GEAR	5100mm	16ft 8.8in
F	OVERHANG IN FRONT OF TRAVEL GEAR	6550mm	21ft 3.25in
G	HEIGHT OF TRAVEL GEAR	1000mm	3ft 3.7in
H	TRANSPORT HEIGHT	3400mm	11ft 1.48in
I	TRANSPORT WIDTH	3000mm	9ft 10.1in

Transport weight with standard undercarriage...39t (85980 lbs)

- with piling and drilling unit, auxiliary winch and 4.5t (9920 lbs) ballast
- without piling and drilling equipment,
- without special equipment (options).

Transport weight with telescopic undercarriage...43t (94798 lbs)

LRB 125	
OPERATING WEIGHT	43 t
LEADER LENGTH - (Effective Length)	12.5m - (15.5m)
CAPACITY HAMMER INCLUDING CAP PLUS PILE	12t
MAX. HAMMER WEIGHT	6t
MAX. PILE WEIGHT	6t
MAX. PULL	20t
WORKING RADIUS MACHINE CENTER OF ROTATION - CENTER PILE	3.36 - 5.56m
MAX. TORQUE	120kNm
MAX. PULL / PUSH	20/15t
ENGINE	Leibherr D 9508 A7 V8 cylinder diesel engine 450kW (603hp) at 1900 rpm
TRACK WIDTH	700mm
PUMPS FOR WORKING TOOLS	2x 350 l/min
SEPARATE PUMPS FOR KINEMATICS	2x 190 l/min

Noise emissions correspond with 2000/14/EC directive on noise emissions by equipment used outdoors.

Rev:1.1



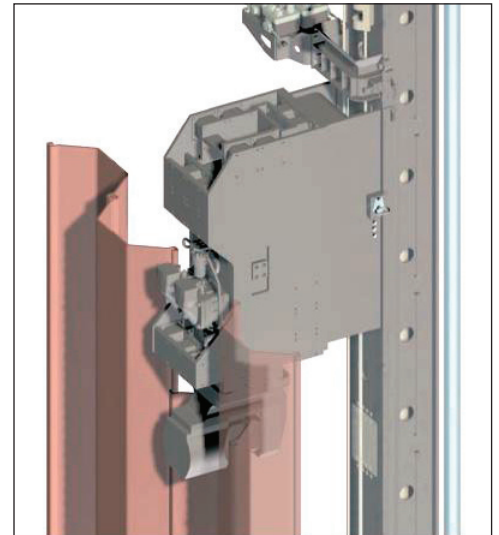
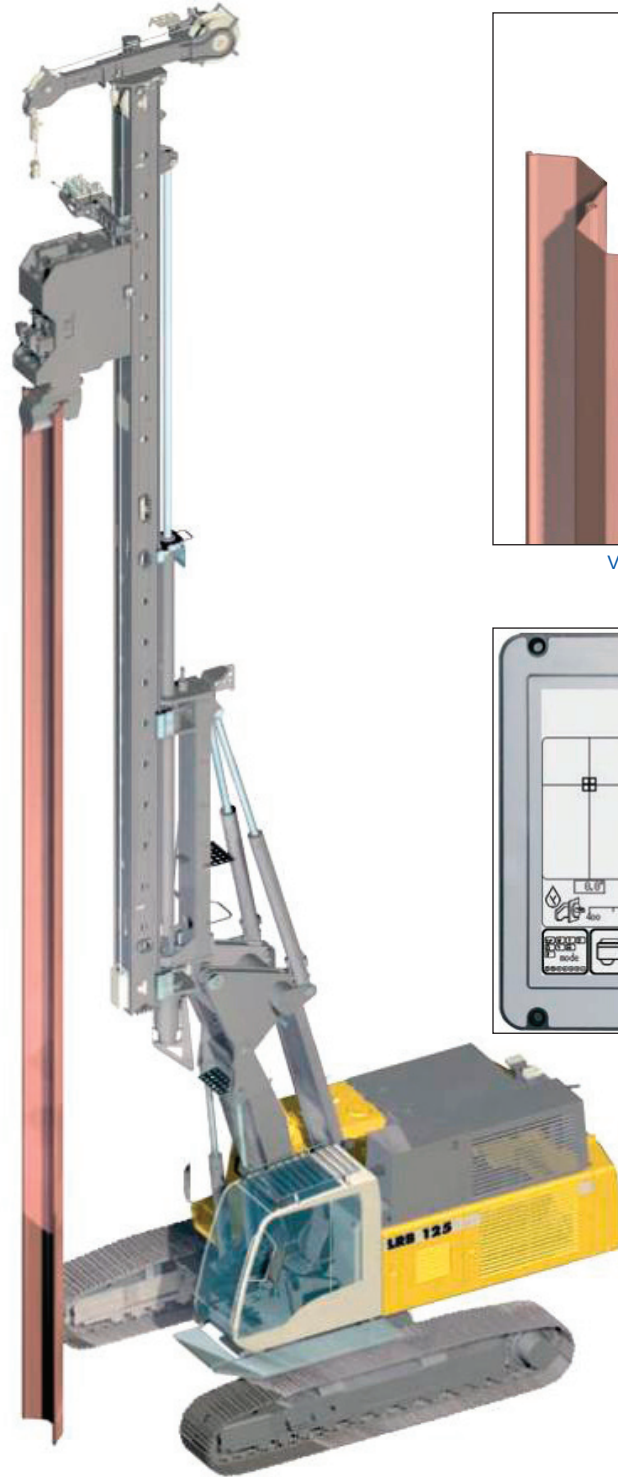
**DAWSON**  
CONSTRUCTION PLANT LTD

# Model 1100H VIBRATOR (SLIM DESIGN)

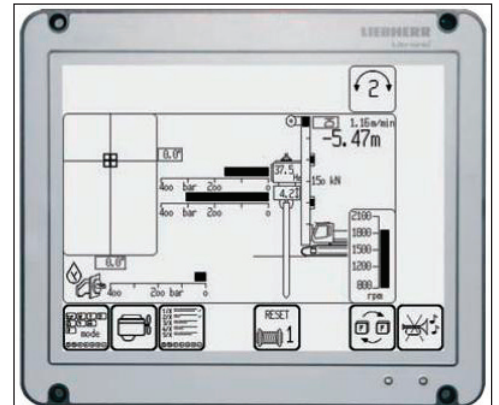
DAWSON CONSTRUCTION PLANT  
CHESNEY WOLD,  
BLEAK HALL,  
MILTON KEYNES,  
MK6 1NE  
ENGLAND

TEL. +44 1908 240300  
FAX. +44 1908 240222  
EMAIL. DAWSON@DCPUK.COM

www.dcpuk.com



Vibrating of single pile between 2 other piles



Display for vibrating

## MODEL 1100H TECHNICAL DATA

STATIC MOMENT	0 - 17.7kgm
MAX. FREQUENCY	2400rpm
MAX. CENTRIFUGAL FORCE	1117kN
MAX. AMPLITUDE	18.6mm
TOTAL WEIGHT WITHOUT CLAMP	2980kg
TOTAL WEIGHT WITH SINGLE CLAMP	3600kg